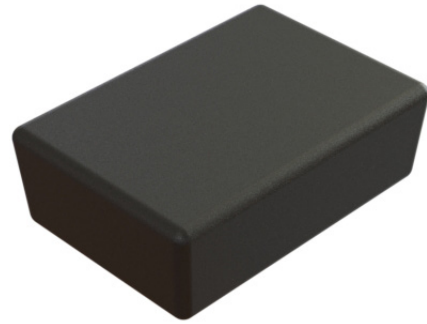


# BEA SERIES

## GPS ASSET TRACKING & MONITORING SYSTEM



### **Track anything from anywhere in the world with our long-life battery powered, GPS tracker**

Our hardware, software, and data solutions allow you to know where your equipment is at all times. This saves you time and money, and reduces down-time from non-usage, idle time, and repairs.

Designed as a turnkey tracking solution our hardware, web portal, and data connection, is a tightly integrated system that will monitor your assets around the clock.

Tracking is easy; simply log into our user-friendly web portal on your PC, smartphone, or tablet and you'll immediately see the dashboard. Here you will see your asset critical details, such as location history, alarms, temperature, runtime, battery life, etc.

If an asset is stolen or moved from its geofenced location, your tracker will change from asset management mode to alarm mode in order to

facilitate recovery. In alarm mode, the tracker can ping as often as every 15 seconds.

Our long-life battery powered GPS devices, are self-contained, self-powered asset management and monitoring tools, specifically designed for discrete tracking.

We manufacture and develop the entire system in-house. These capabilities, combined with our team of experienced software, mechanical, and electrical engineers, enable InventureTrack to provide customers with application-specific products with unique design and solution-based features.

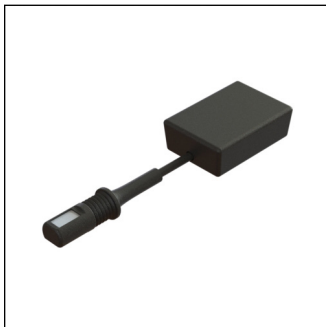


# Product Types

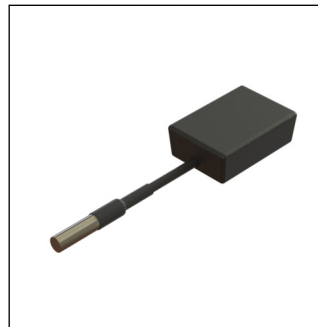
Our ultra flexible platform allows thousands of possible hardware combinations.

## BEA

Paired via Bluetooth with our 6R or 2DS series trackers, the BEA devices allow for wireless sensor data transmission. With a 100ft range, monitoring all of the aspects of your application becomes easy and cost effective. The beacons constantly advertise their data to any available 6R or 2DS gateway so that the correct information is available when necessary.



Beacon & humidity probe



Beacon & temperature probe

## Available Sensors

We offer a wide variety of sensors to monitor critical equipment data from our web portal.

For added flexibility, we can connect nearly any sensor to our platform.

- Accelerometer
- Thermistor
- Humidity/Temperature
- Open/Close
- Runtime
- Light
- Float Switch
- Tamper





# Specifications

## General

### Communication Modes

Bluetooth 4.1

### Operating Voltage

3.0 volt internal battery

## Environmental

### Temperature

Operating: -20° to +60° C

### Humidity

95%RH @ 50° C non-condensing

### Shock and Vibration

SAE J1455

EMC/EMISAE J1113

FCC-Part 15B

## Bluetooth

**Operating Mode:** Beacon (advertise only)

**Transmit Power:** +4dBm

## Battery Pack

**Battery Capacity:** 200 mAh

**Battery Operating Voltage:** 3.0V

**Battery Type:** LiMnO<sub>2</sub> Coin Cell

## Physical

### Dimensions (LxWxH)

1.67in x 1.16in x 0.55in

42.4mm x 29.5mm x 13.9mm

**Weight:** 0.45 oz | .03 lb | 13 g

## Certifications

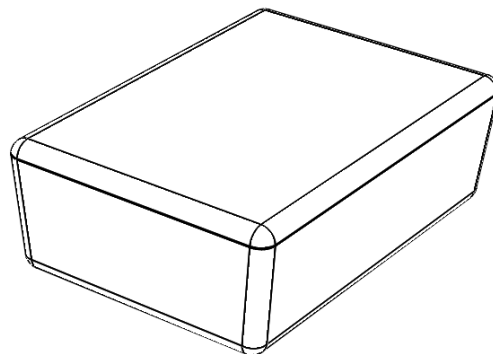
FCC

## Mounting

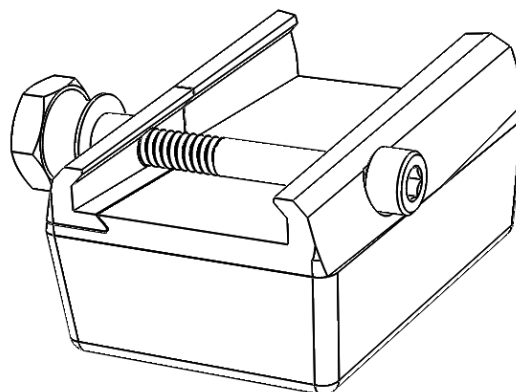
Adhesive Tape

Magnet (optional)

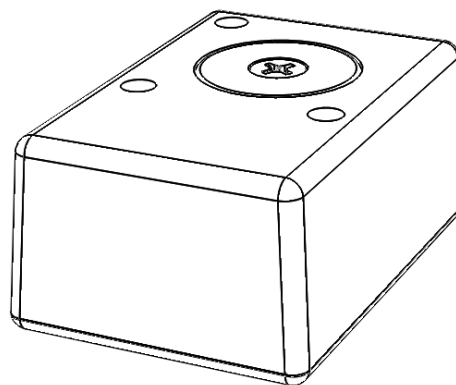
Firearm Rail Mount



Standard Beacon



Firearm Rail Mount



Magnet Mount